

4000 HN series

www.martekpower.com

Dual Output DC/DC Converter



DESCRIPTIONS

The 4000HN, dual output power modules are 30 to 40 watt DC/DC converters available in a dual output configuration providing both digital and analog outputs in a compact, industry standard 2" X 2" X 0.5" package. These 400kHz, switching converters are available in 12, 24 and 48 VDC inputs making them one of the most versatile product lines in the market with efficiencies up to 88%. Advanced surface mount construction allows these converters to achieve outstanding thermal performance eliminating the need for thermal potting compounds and thereby enhancing manufacturing efficiency to reduce costs.

OUTPUT CHARACTERISTICS

	Min	Typ	Max	Unit/Comments
Output Voltage Set Point		±1		% Output voltage at nominal line & FL
Total Band Error	-3		+3	% Output voltage including line/load regulation setting
Line Regulation		±0.5		% Output voltage measured from min. input line to maximum
Load Regulation		±1		% Output voltage measured from FL to 10% load
Temperature Coefficient		±0.01		% per degree C
Ripple/Noise		60	100	mV p-p measured at 20 MHz bandwidth with external 1 µf capacitor
Load Voltage and Current				Refer to model selection chart
Load Transient Response		±2		% Deviation of Vout voltage for a 25% load change for 200 µS
Short Circuit Protection				Indefinite, Automatic Recovery
Output Voltage Trim Range		±10		% Output voltage. Place ext. resistor between pins 9 - 6 to trim down. Between pins 9 - 5 to trim up
Overvoltage Protection		135		%; Clamp type

FEATURES

- Up to 88% Efficiency
- Dual Output, Up To 40 watt converter
- Available in 12, 24 and 48 VDC Inputs
- Industry Standard 2" X 2" X 0.5" Package
- Output Over Voltage, Input Over Voltage and Short Circuit Protection

INPUT CHARACTERISTICS

	Min	Typ	Max	Units/Comments
Input Voltage				
12 VDC Input Models	9	12	18	VDC
24 VDC Input Models	18	24	36	VDC
48 VDC Input Models	36	48	75	VDC
Under Voltage Shut Down				
12 VDC Input Models	8			VDC
24 VDC Input Models	17			VDC
48 VDC Input Models	33			VDC
Over Voltage Shutdown				
12 VDC Input Models			20	VDC
24 VDC Input Models			40	VDC
48 VDC Input Models			80	VDC
Minimum Input Current				
12 VDC Input Models	0			mA
24 VDC Input Models	0			mA
48 VDC Input Models	0			mA
Full Load Input Current				
12 VDC Input Models			3.16	A
24 VDC Input Models			2.06	A
48 VDC Input Models			1.03	A
Input Fuse Requirements				
12 VDC Input Models			10	Amps; Slow blow type
24 VDC Input Models			7	Amps; Slow blow type
48 VDC Input Models			4	Amps; Slow blow type
Efficiency by Model				
4005D12HN		81		%; FL Nominal Line
4012D12HN		83		%; FL Nominal Line
4015D12HN		84		%; FL Nominal Line
4005D24HN		82		%; FL Nominal Line
4012D24HN		86		%; FL Nominal Line
4015D24HN		87		%; FL Nominal Line
4005D48HN		83		%; FL Nominal Line
4012D48HN		87		%; FL Nominal Line
4015D48HN		88		%; FL Nominal Line
Switching Frequency	360	400	440	kHz; Factory set
Remote Shut Down	Off	0	0.80	VDC;Referenced to input
	On	3.5		VDC or open ;Referenced to input
Input - Output Capacitance		1000		pF
Input Filter				LC type
Isolation Voltage		1500		VDC
Isolation Resistance		100		MOhms

Martek Power reserves the right to change specifications without notice.

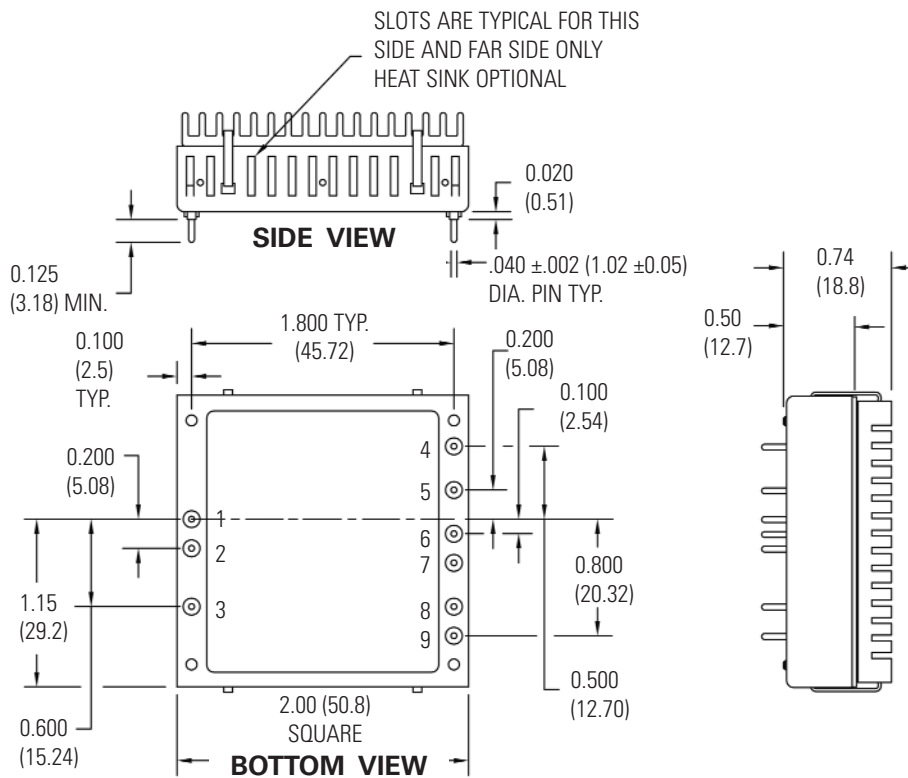
MODEL SELECTION CHART

	Input Voltage (VDC)	Output Voltage (VDC)	Full Load Output Current (A)
4005D12HN	12	±5	±3.00
4012D12HN	12	±12	±1.25
4015D12HN	12	±15	±1.00
4005D24HN	24	±5	±4.00
4012D24HN	24	±12	±1.67
4015D24HN	24	±15	±1.33
4005D48HN	48	±5	±4.00
4012D48HN	48	±12	±1.67
4015D48HN	48	±15	±1.33

GENERAL CHARACTERISTICS

	Min	Typ	Max	Unit/Comments
Operating Temp. Range	-40		+105	°C; measured at baseplate
Storage Temp. Range	-55		+125	°C; measured at baseplate
Material Flammability				UL94V-0
Altitude: Operating			10,000	Feet
Non-Operating			40,000	Feet
Relative Humidity	5		95	% Humidity, non-condensing
MTBF	1,460,000			Per MIL-HDBK-217F, Ground Benign envir.
Weight			34	Grams
Size				2" X 2" X 0.5"
Case Material				Black coated aluminum
Agency Approvals				UL/CUL1950, TUV, EN60950

OUTLINE DRAWING



PIN OUT CHART

Pins	FUNCTION
1	+ INPUT
2	- INPUT
3	CONTROL
4	+ OUTPUT V1
5	COMMON
6	- OUTPUT V2
7	NO PIN
8	NO PIN
9	TRIM

Notes:

- Unless otherwise specified dimensions are in inches (mm).
- Controlling dimension in inch.
- Tolerances

Inches	mm
X.XX = ±0.02	X.X = ±0.5
X.XXX = ±0.010	X.XX = ±0.25

All specifications are typical at nominal input, nominal load and 25° C unless otherwise specified. External, low ESR, 33 microfarad (minimum) capacitor across input is recommended for operation.

HOW TO ORDER

HOW TO ORDER

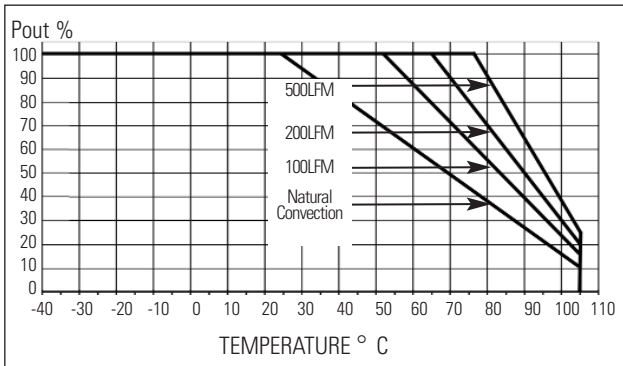
40 XX D XX HN - Y

Wattage — 40
 Output Voltage — XX
 Dual Output — D
 Input Voltage — XX
 ROHS Compliant — HN
 Hi-Density, Non-Encap — Y

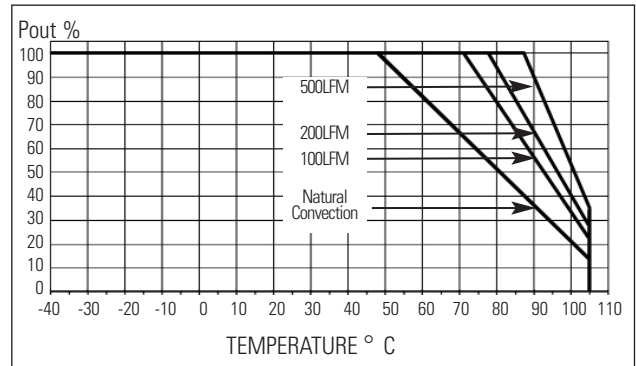
H Options: To add external heatsink mounted on the baseplate of the converter please add a "H" at the end of the part number. Heatsink is provided to improve thermal performance (see derating curves).

DERATING CURVES

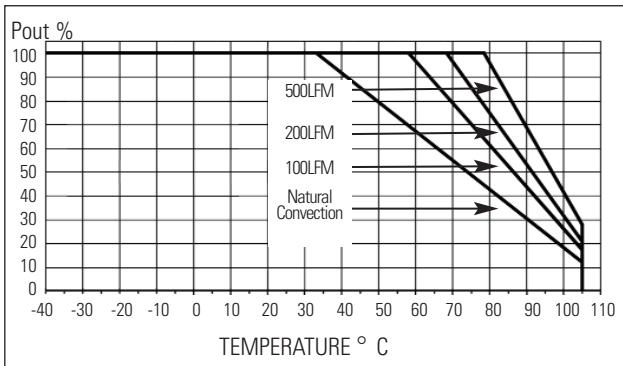
MODEL 4000HN Dual 3.3V (Without heatsink)



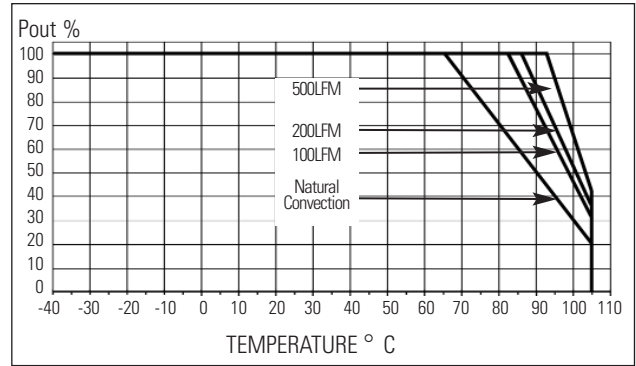
MODEL 4000HN-H Dual 3.3V (With heatsink)



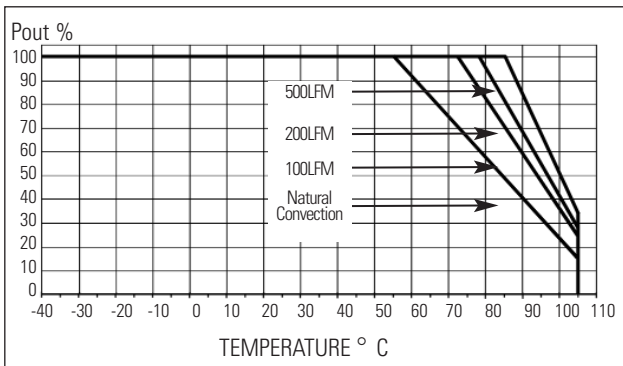
MODEL 4000HN Dual 5V (Without heatsink)



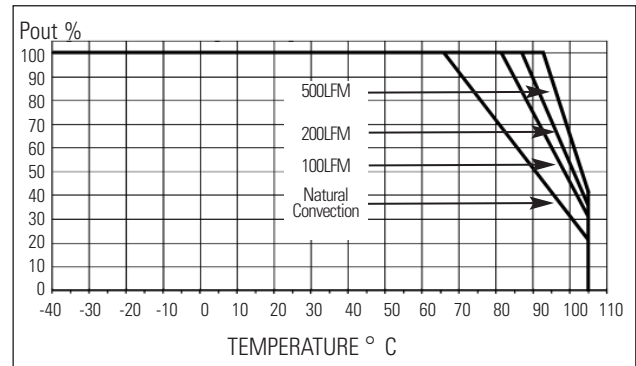
MODEL 4000HN-H Dual 5V (With heatsink)



MODEL 4000HN Dual 12 & 15V (Without heatsink)



MODEL 4000HN-H Dual 12 & 15V (With heatsink)



OUTPUT VOLTAGE ADJUSTMENT (4000HN DUAL SERIES)

The converter's output voltage may be trimmed by up to $\pm 10\%$ of the nominal output voltage.

TRIM UP

Trim output voltage up by connecting an external resistor between Pins 6 and 9. Use the following equation, reference Table 1 for variable A.

$$\text{Radj-up} = \frac{A}{\Delta \%} - 16 \text{ (k}\Omega\text{)}$$

Example:

Trim 5% up for 12V Output units,
where $A = 1.79$, $\Delta \% = 0.05$

$$\text{Radj-up} = \frac{1.79}{0.05} - 16 = 19.8 \text{ k}\Omega$$

Both outputs trimmed up by 5%.

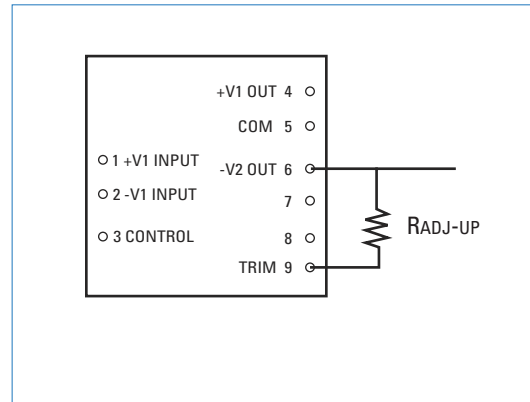


Table 1.

Output Voltage	A
$\pm 5V$	1.5
$\pm 12V$	1.79
$\pm 15V$	1.83

TRIM DOWN

Trim output voltage down by connecting an external resistor between Pins 4 and 9. Use the following equation, reference Table 2 for variables C and D.

$$\text{Radj-down} = \frac{C}{\Delta \%} - D \text{ (k}\Omega\text{)}$$

Example:

Trim 5% down for 5V Output units,
where $C = 4.5$, $D = 22$, $\Delta \% = 0.05$

$$\text{Radj-down} = \frac{4.5}{0.05} - 22 = 68 \text{ k}\Omega$$

Both outputs trimmed down by 5%.

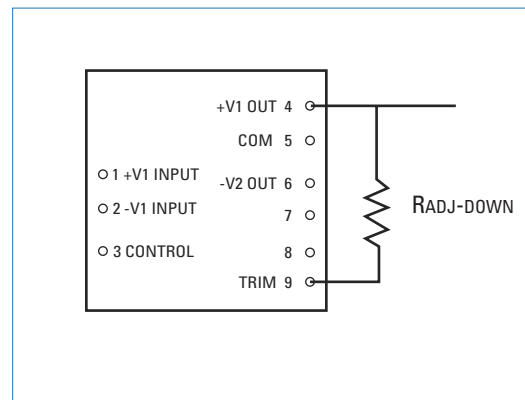


Table 2.

Output Voltage	C	D
$\pm 5V$	4.5	22
$\pm 12V$	15.4	33.2
$\pm 15V$	20.2	38